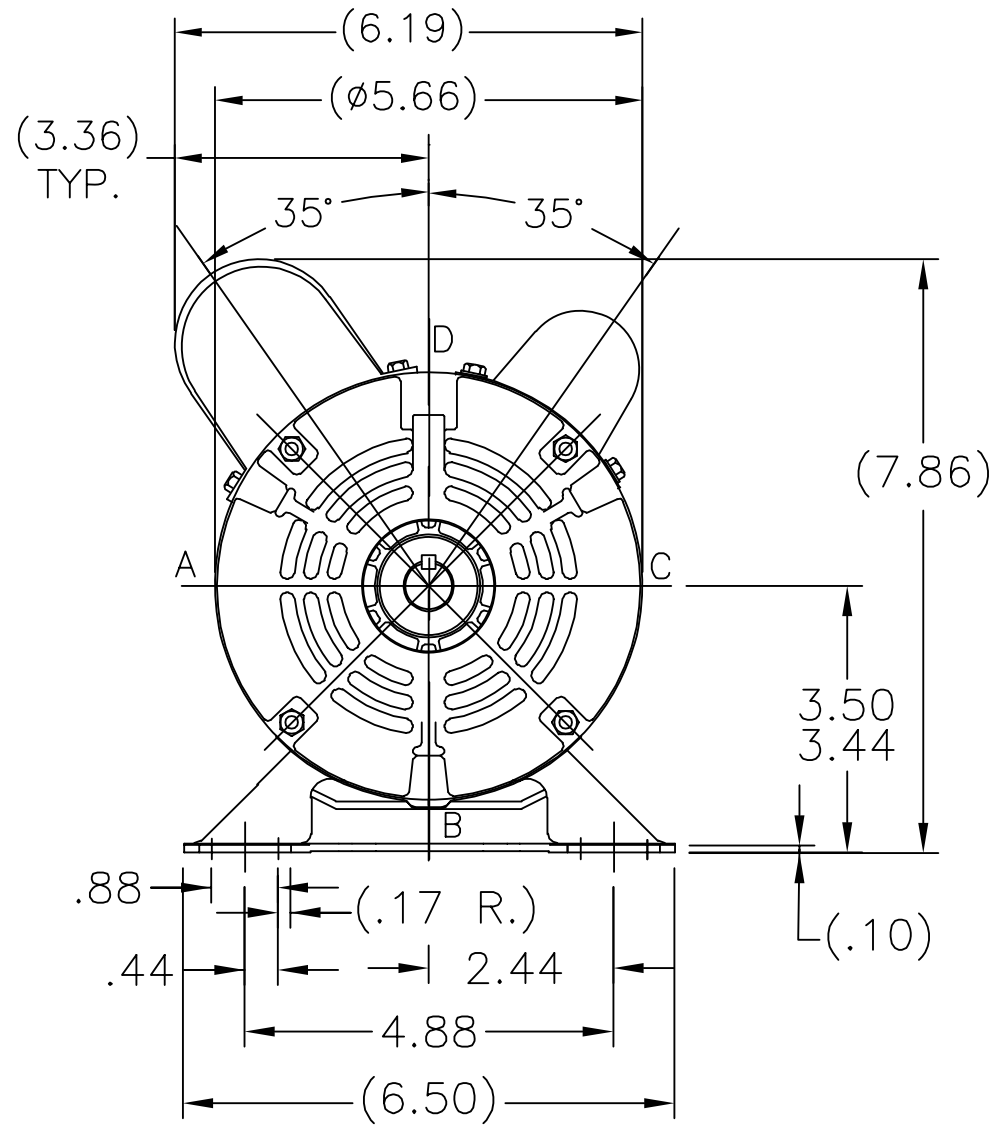
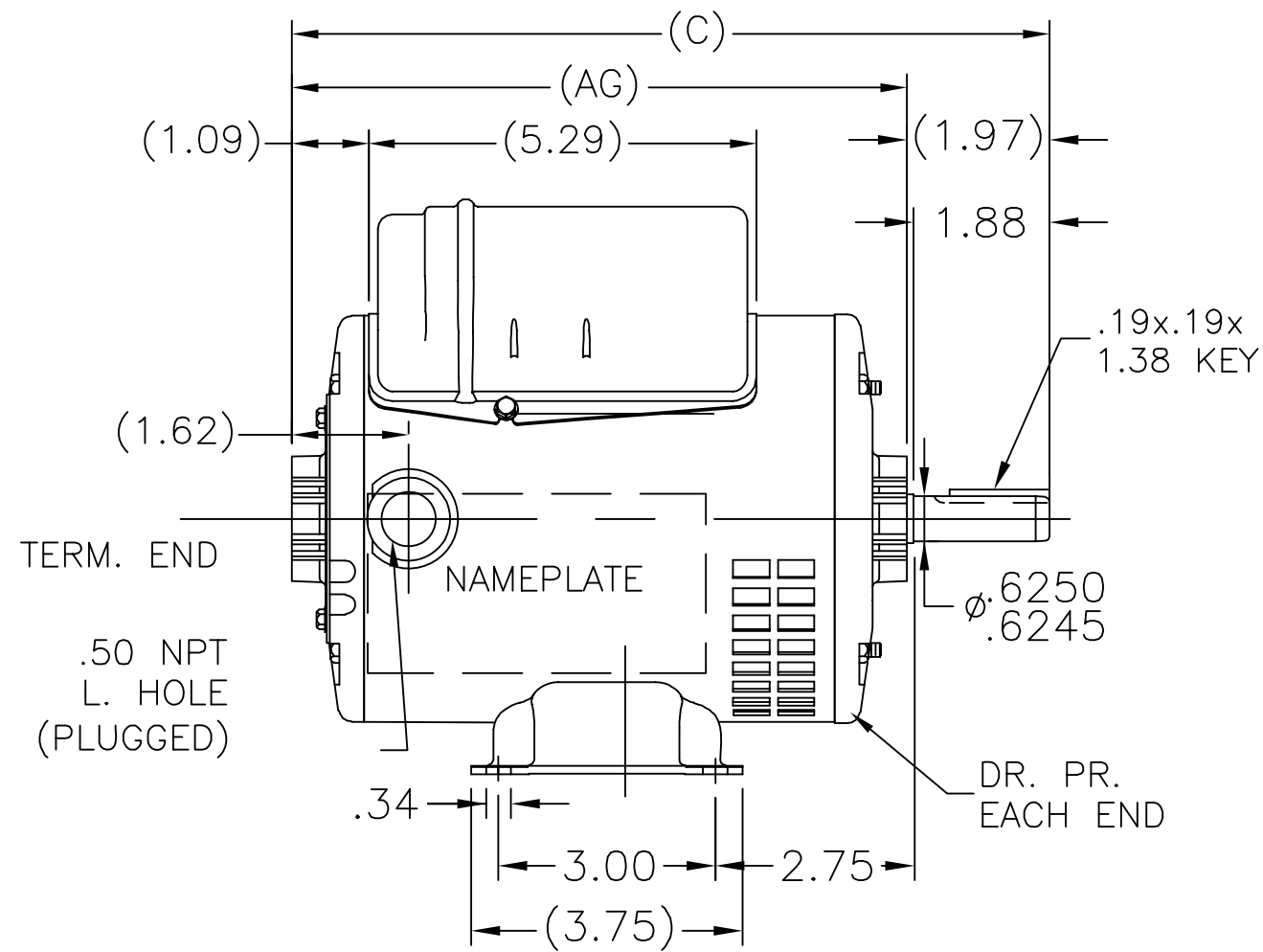



SS404114



DASH	C	AG	DASH	C	AG
625	10.22	8.25	725	11.22	9.25
650	10.47	8.50	750	11.47	9.50
675	10.72	8.75	775	11.72	9.75
700	10.97	9.00	800	11.97	10.00

		TOLERANCES UNLESS SPECIFIED		 Regal Beloit America, Inc.	DRAWN JAH 11/21/2014
		DEC.	INCHES		CHK AB 11/21/2014
		.X	±.1		APPD
		.XX	±.03		SCALE 1:1
			.XXX	±.005	REF SS404113/SS75609
A	CREATED NEW DRAWING	JAH 11/21/2014	AB	.XXXX ±.0005	MAT'L.
NO.	REVISION	BY & DATE	CHK	ANG ±7'30"	FINISH
THIS DRAWING IN DESIGN AND DETAIL IS OUR PROPERTY AND MUST NOT BE USED EXCEPT IN CONNECTION WITH OUR WORK ALL RIGHTS OF DESIGN AND INVENTION ARE RESERVED THIS IS AN ELECTRONICALLY GENERATED DOCUMENT - DO NOT SCALE THIS PRINT			RFP	CAD FILE SS404114	SIZE A
			DIST WP		DRAWING NO. PAGE 1 OF 1 REV. A
					SS404114